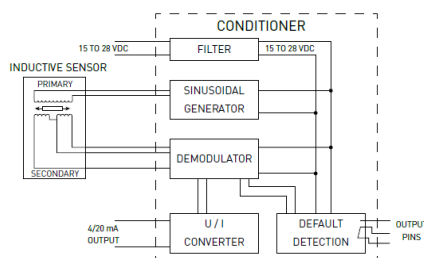
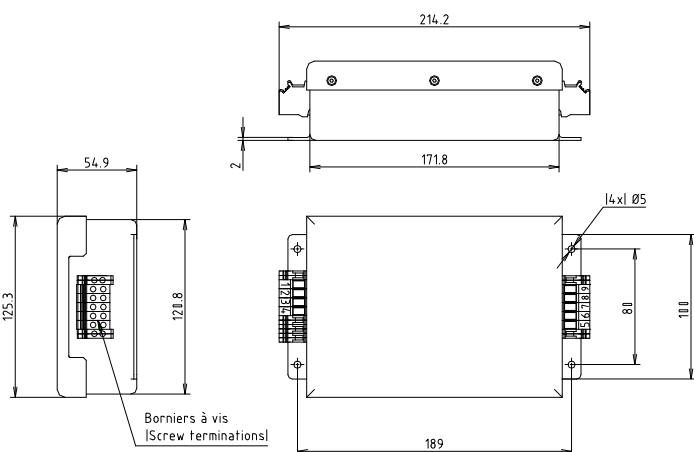


Sensorex®

(IS) conditioner for (IS) RVDT sensor 690210266 (IS)



(IS) 690210266 signal conditioner features 6 wires inductive RVDT sensor signal treatment in explosive atmosphere. This conditioner delivers a 4 /20mA current output proportional to the sensor core rod displacement. It has two screw terminals for sensor broken wire detection or power supply failure.



Utilization range

- Electrical :
Power supply: 15VDC to 28VDC
- Storage temperature: -65°C / +150°C
- Operating temperature: -40°C / +85°C

Contact

Meggitt (Sensorex)
Archamps Technopôle
196 Rue Louis Rustin
74166 ARCHAMPS- France
Tel: 04 50 95 43 70
Fax: 04 50 95 43 75
www.sensorex.fr
www.meggitt.com

Meggitt Sensing Systems

Our measurement product competencies:
LVDTs | Inertial systems | Inclinometers | Accelerometers | IMU |
MEMS sensors | Servo-inclinometer | Conditioners

MEGGITT
smart engineering for
extreme environments

Sensorex®

(IS) conditioner for (IS) RVDT sensor 690210266 (IS)

Mechanical and environmental characteristics

Number of channel	1
Location unit	Hazardous area
Dimensions	215*121*55 (mm)
Box material	Aluminum(*)
Junction	Screw terminals
Protection	IP 40
Vibrations	2g (white noise)
Weight	Nearly 950 g

(*) Use in zone 0: the conditioner external housing includes aluminum; it shall be protected against any impact or friction.

Mechanical characteristics at +25°C

Power supply	15VDC to 28VDC
Maximum consumption	60mA
Sensor supply voltage	2.2 V _{eff} ±20%
Sensor frequency	3500 Hz ±10%
Synchronized demodulation on secondaries sum	
Filter	450 Hz ±20%
Output signal	4/20mA _{dc}
Load resistance	280 Ω for 15V _{dc} to 730 Ω for 28V _{dc}
Maximum non linearity	±0.1% FS
Maximum accuracy error	±0.2% FS
Zero thermal drift	±25 ppm/°C/FS
Sensitivity thermal drift	150 ppm/°C

Note: the terminal blocks must be associated to intrinsically safe devices and these combinations must be compatible as regards intrinsic safety rules.

Selection guide

Designation	Product reference	Marking details
(IS) conditioner for (IS) RVDT	690210266	Ex ia IIC T5 or Ex ia IIB T4 Ex ia IIC T4 Ex ia IIC T3 or Ex ia IIB T3

The temperature classification depending on T_a ambient temperature is:

- T5 in IIC atmosphere for T_a less than 40°C
- T4 in IIB atmosphere for T_a less than 40°C
- T4 in IIC atmosphere for T_a less than 75°C
- T3 in IIC atmosphere for T_a less than 85°C - T3 in IIB atmosphere for T_a less than 85°C

Contact

Meggitt (Sensorex)
Archamps Technopôle
196 Rue Louis Rustin
74166 ARCHAMPS- France
Tel: 04 50 95 43 70
Fax: 04 50 95 43 75
www.sensorex.fr
www.meggitt.com

Meggitt Sensing Systems

Our measurement product competencies:
LVDTs | Inertial systems | Inclinerometers | Accelerometers | IMU |
MEMS sensors | Servo-inclinometer | Conditioners

MEGGITT
smart engineering for
extreme environments